

Measurements/Geometry: Handyman – Concrete

Home Improvement & Repairs

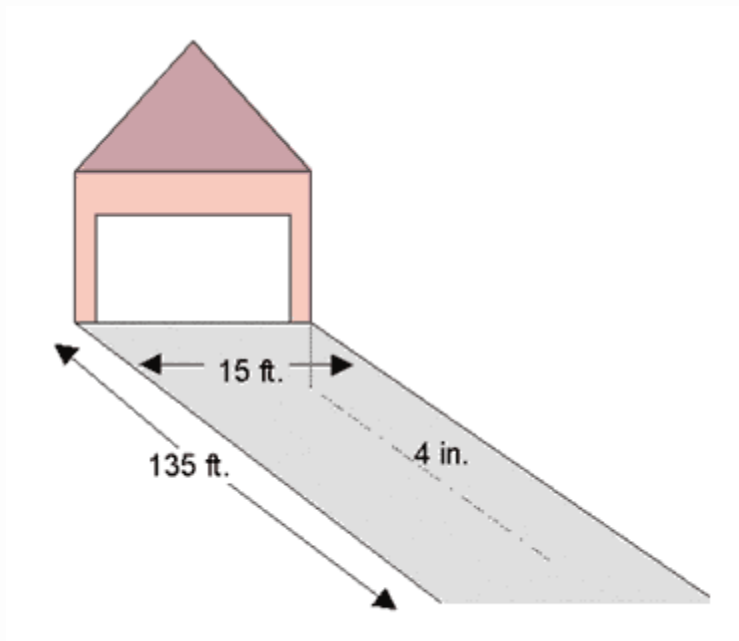
Job Description: Manage individuals who market, sell, and support products that are currently on market (the problem is submitted as a homeowner).

Problem:

A man needs to make a cement driveway from his garage to the street—a distance of 135 feet. The driveway needs to be 4 inches thick. Cement costs \$55/cubic yard with a 15% discount for cash.

How many cubic yards of cement will he need for a driveway with a width of 15 feet?

How much will he pay if he uses cash?



Measurements/Geometry: Handyman – Concrete

Home Improvement & Repairs

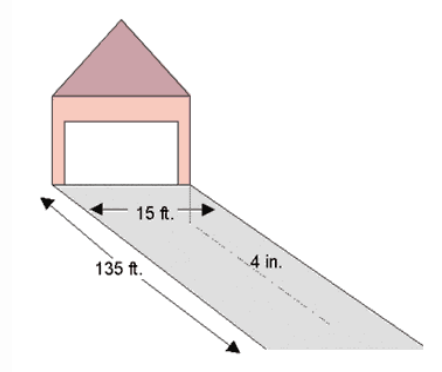
Job Description: Manage individuals who market, sell, and support products that are currently on market (the problem is submitted as a homeowner).

Problem:

A man needs to make a cement driveway from his garage to the street—a distance of 135 feet. The driveway needs to be 4 inches thick. Cement costs \$55/cubic yard with a 15% discount for cash.

How many cubic yards of cement will he need for a driveway with a width of 15 feet?

How much will he pay if he uses cash?



Solution:

1 cubic yard = 27 cubic feet
 4 inches = $\frac{4}{12}$ foot

Volume of driveway: $135 \text{ ft.} \times 15 \text{ ft.} \times \frac{4}{12} \text{ ft.} = 675 \text{ cu. ft.}$

$675 \text{ cu. ft.} \div 27 \text{ cu. ft.} = 25 \text{ cu. yd.}$

$25 \text{ cu.yds.} \times \$55/\text{cu. yd.} = \$1,375$

If bill is paid in cash, take 15% of \$1,375. Deduct \$206.25 from the cost and customer.